

CONSTRUCTIVE PROPERTIES

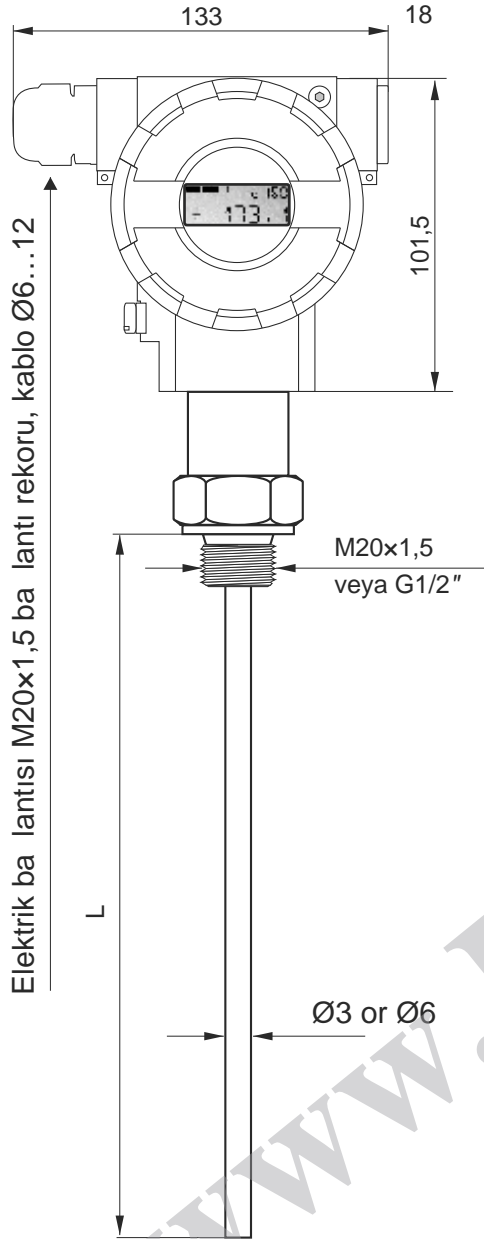
	STANDARD	OPTIONAL
Mounting Type	Bottom Connection	-
Scale Unit	°C °F	
Scale Range (T)	-200/+550°C	
Case	Aluminum	Stainless Steel AISI-316L
Window	Polycarbonate	Glass
Connection	G 1/2" B	1/2" NPT Flange Connection M20x1,5 G 1"
Voltage Supply	12..55 VDC	
Sensor Type	Pt100 K	
Immersion Length	100mm 160mm 250mm 400mm	



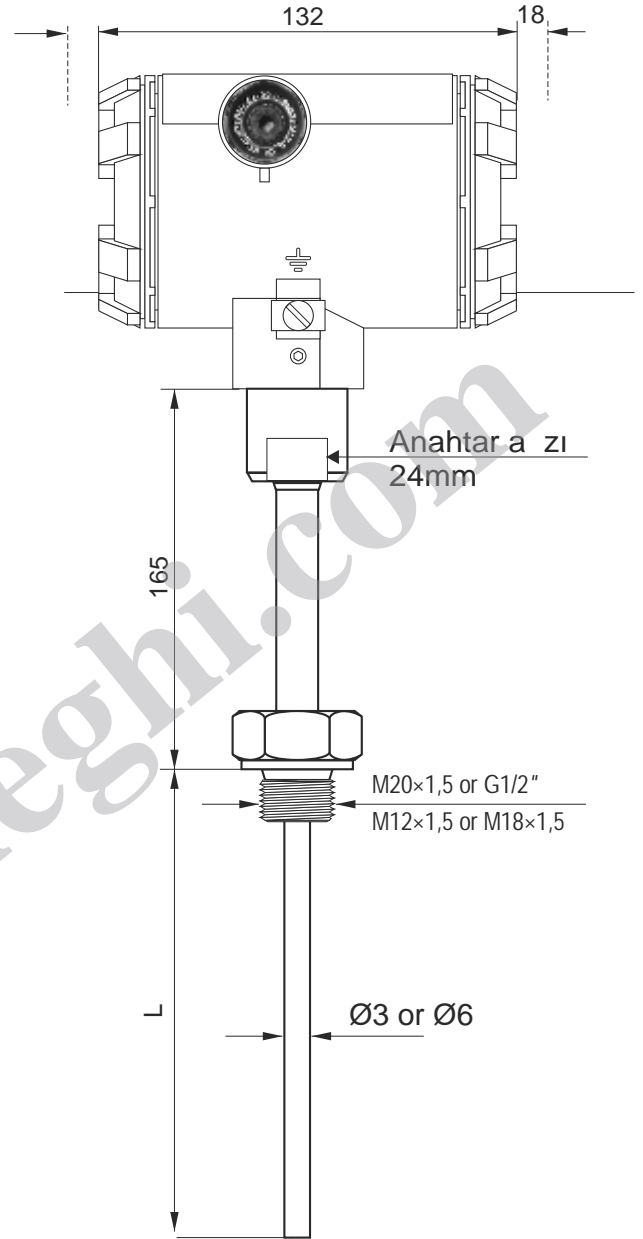
APT-2000ALW

USAGE PROPERTIES

Fluid Temperature	-	-
Ambient Temperature	-40°C...+85°C	
Over Pressure Limit	-	
Accuracy Class	0,075%	
Protection Rate	IP 66	IP 67
Storage Temperature	-	
Conformity	Exia Exd	
Output Signal	4 - 20 mA + HART	
Long term Drift	-	
Thermal error	-	
Connector	M20 X 1,5	1/2 " NPT
Çalışma Ömrü	-	



APT-2000ALW/GB



APT-2000ALW/GN